


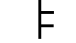









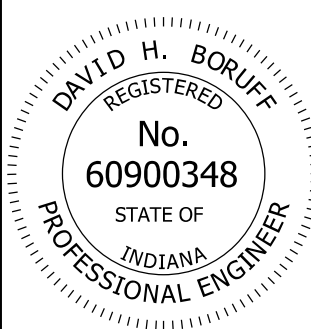
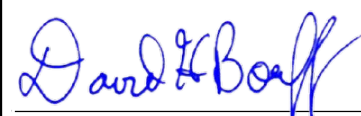
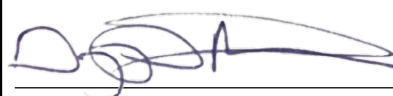
INDEX	
SHEET NO.	SUBJECT
1	Stationary Lane Closure Index and General Notes
2	Long-Term Stationary Freeway Right Lane Closure
3	Short or Intermediate Term Stationary Freeway Right Lane Closure
4	Short or Intermediate Term Stationary Freeway Right Lane Closure with Minor Encroachment
5	Long-Term Stationary Freeway Left Lane Closure
6	Short or Intermediate Term Stationary Freeway Left Lane Closure
7	Short or Intermediate Term Stationary Freeway Left Lane Closure with Minor Encroachment
8	Short or Intermediate Term Stationary Double Lane Closure Freeway for Work in the Center Lane
9	Short or Intermediate Term Stationary Double Lane Closure Freeway with Minor Encroachment
10	Short or Intermediate Term Stationary Freeway Right Lane Closure Near Interchange with Exit Open
11	Traffic Control for Freeway Exit Closure
12	Short or Intermediate Term Stationary Lane Closure on Three Lane Road

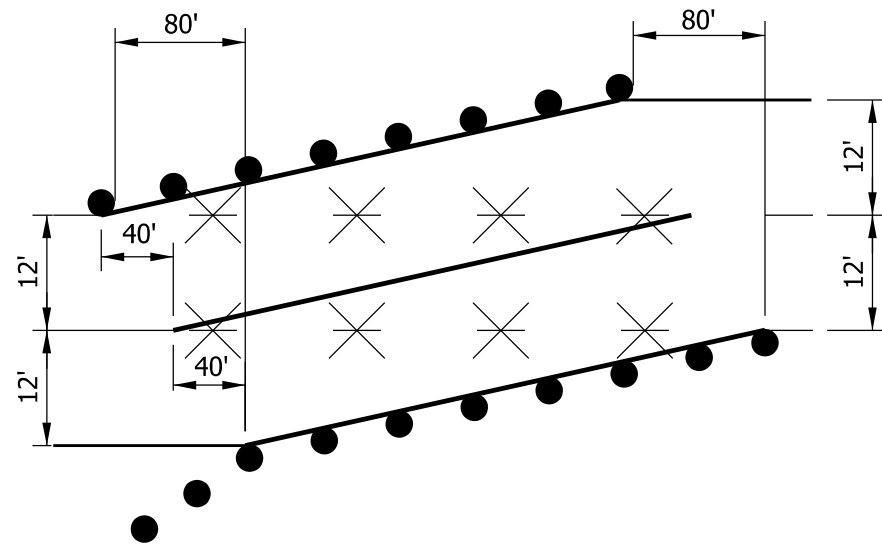
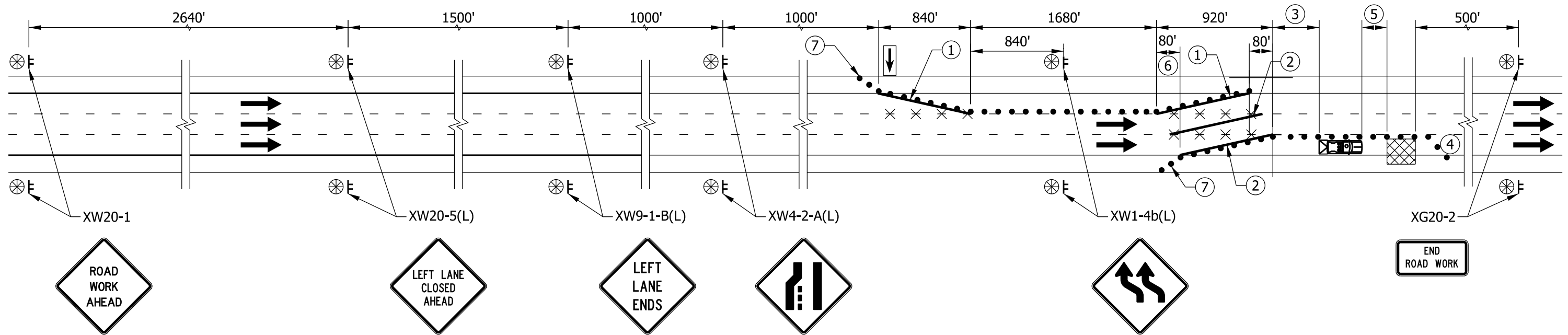
LEGEND

-  Work Area
-  Flashing Arrow Sign
-  Channelizing Device
-  Construction Sign and Supports
-  Removal of Pavement Markings and Prismatic Reflectors
-  Type III-A Barricades
-  Direction of Traffic
-  Low Intensity Construction Warning Light, Type A
-  Shadow Vehicle with Truck-Mounted Attenuator, Arrow Board, and Strobe Lights
-  Type III-Barricade
-  Crash Cushion

GENERAL NOTES:

1. **Short-term stationary**, work that occupies a location for more than one hour within a single daylight period.
Intermediate-term stationary, work that occupies a location for more than one daylight period up to three days, or nighttime work lasting more than one hour.
Long-term stationary, work that occupies a location for more than three days.
2. Distances shown may be varied based on field conditions with approval from the Engineer.
3. Unless otherwise noted, the spacing of channelizing devices in tangent sections shall be 100 ft where the posted speed limit is 50 m.p.h. or greater, and the spacing shall be 50 ft where the posted speed limit is less than or equal to 45 m.p.h.
4. Unless otherwise noted, the spacing of channelizing devices in tapers shall be equal in feet to the posted speed limit in m.p.h.
5. The sign spacing shown for freeway lane closures may be reduced to 500 ft for lane closures on rural undivided highways.
6. For interstate lane closures road work 3 miles, road work 2 miles, and road work 1½ mile signs shall be placed in advance of the road work ahead sign.
7. Temporary pavement markings may be omitted for short-term and intermediate-term stationary daylight lane closures.
8. Temporary highway illumination, when specified, shall be as detailed on the plans.
9. Channelizing devices and barrels are schematic and are only intended to show placement and not number or spacing.

INDIANA DEPARTMENT OF TRANSPORTATION	
STATIONARY LANE CLOSURE INDEX AND GENERAL NOTES	
SEPTEMBER 2026	
STANDARD DRAWING NO.	E 801-TCLC-01
	 4/28/2026 <small>DESIGN STANDARDS ENGINEER DATE</small>
 04/29/2026 <small>CHIEF ENGINEER DATE</small>	



DETAIL A

LONGITUDINAL BUFFER LENGTH	
Posted Speed Limit (mph)	Length (ft)
25	155
30	200
35	250
40	305
45	360
50	425
55	495
60	570
65	645
70	730

NOTES:

- ① Yellow Edge Line
- ② White Edge Line
- ③ Longitudinal Buffer Length, see table.
- ④ Downstream taper after work area shall extend 100 ft on freeway and drums shall be spaced 20 ft. The downstream taper may be omitted if necessary for work vehicle access.
- ⑤ Shadow vehicle roll ahead distance shall be as recommended by the truck mounted attenuator manufacturer.
- ⑥ Unless otherwise specified on the plans, stagger lane shift to increase lane width through the shift. The temporary lane line in the middle shall be offset 40 ft from each temporary edge line for 12 ft lanes, see Detail A. For double lane shifts that go from 12 ft lanes to 11 ft lanes, the temporary lane line in the middle shall be offset 80 ft from each temporary edge line.
- ⑦ Shoulder taper of 1/3 L. See Standard Drawing series E 801-TCDV for distance, L.

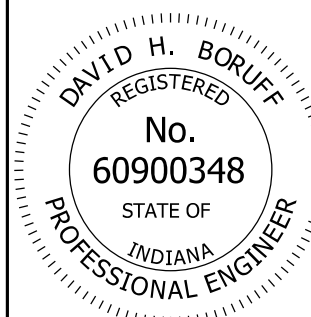
8. Selection of Temporary Traffic Barrier or Channelizing Devices shall be made in accordance with Standard Drawings E 801-TCCB-XX through E 801 TCCB-XX.

INDIANA DEPARTMENT OF TRANSPORTATION

LONG-TERM STATIONARY FREEWAY
RIGHT LANE CLOSURE

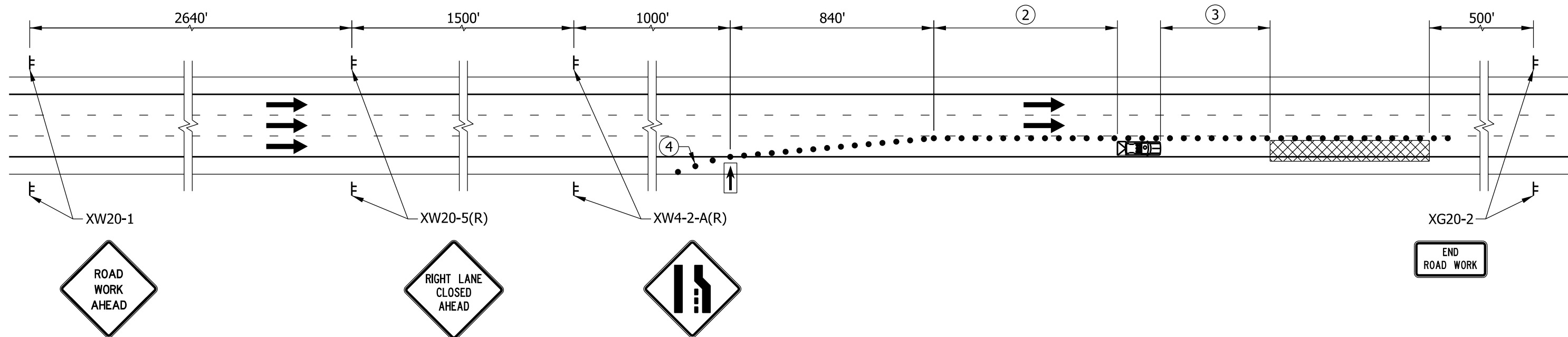
SEPTEMBER 2026

STANDARD DRAWING NO. E 801-TCLC-02



David H. Boruff 4/28/2026
DESIGN STANDARDS ENGINEER DATE

[Signature] 04/29/2026
CHIEF ENGINEER DATE



NOTES:

1. See Standard Drawing series E 801-TCDV for merge distance, L.
- ② Longitudinal Buffer Length, see table.
- ③ Shadow vehicle roll ahead distance shall be as recommended by the truck mounted attenuator manufacturer.
- ④ Shoulder taper of $\frac{1}{3}$ L.

LONGITUDINAL BUFFER LENGTH	
Posted Speed Limit (mph)	Length (ft)
25	155
30	200
35	250
40	305
45	360
50	425
55	495
60	570
65	645
70	730

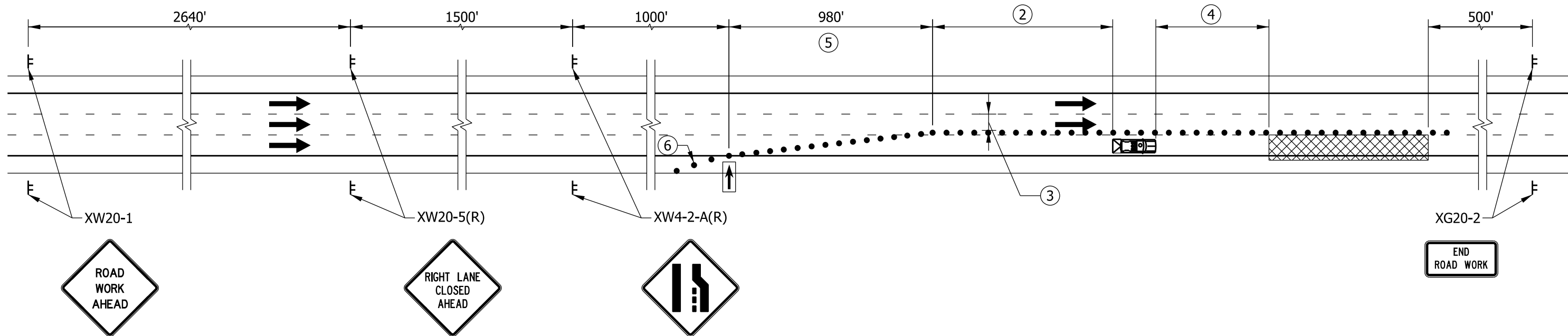
INDIANA DEPARTMENT OF TRANSPORTATION

**SHORT OR INTERMEDIATE TERM STATIONARY
FREEWAY RIGHT LANE CLOSURE**

SEPTEMBER 2026

STANDARD DRAWING NO. E 801-TCLC-03

	<p style="text-align: right;"><i>David H. Boruff</i> 4/28/2026 DESIGN STANDARDS ENGINEER DATE</p> <p style="text-align: right;"><i>[Signature]</i> 04/29/2026 CHIEF ENGINEER DATE</p>
--	-----------------------------------------------------------------------------------------------------------------------------------------------------------------------------------------------



NOTES:

1. See Standard Drawing series E 801-TC DV for merge distance, L.
- ② Longitudinal Buffer Length, see table.
- ③ Lane width shall be a minimum width of 10 ft.
- ④ Shadow vehicle roll ahead distance shall be as recommended by the truck mounted attenuator manufacturer.
- ⑤ Use a separate shift taper separated by a distance of 2L if a merge taper is wider than 14 ft.
- ⑥ Shoulder taper of 1/3 L.

LONGITUDINAL BUFFER LENGTH	
Posted Speed Limit (mph)	Length (ft)
25	155
30	200
35	250
40	305
45	360
50	425
55	495
60	570
65	645
70	730

INDIANA DEPARTMENT OF TRANSPORTATION

**SHORT OR INTERMEDIATE TERM STATIONARY
FREEWAY RIGHT LANE CLOSURE
WITH MINOR ENCROACHMENT**

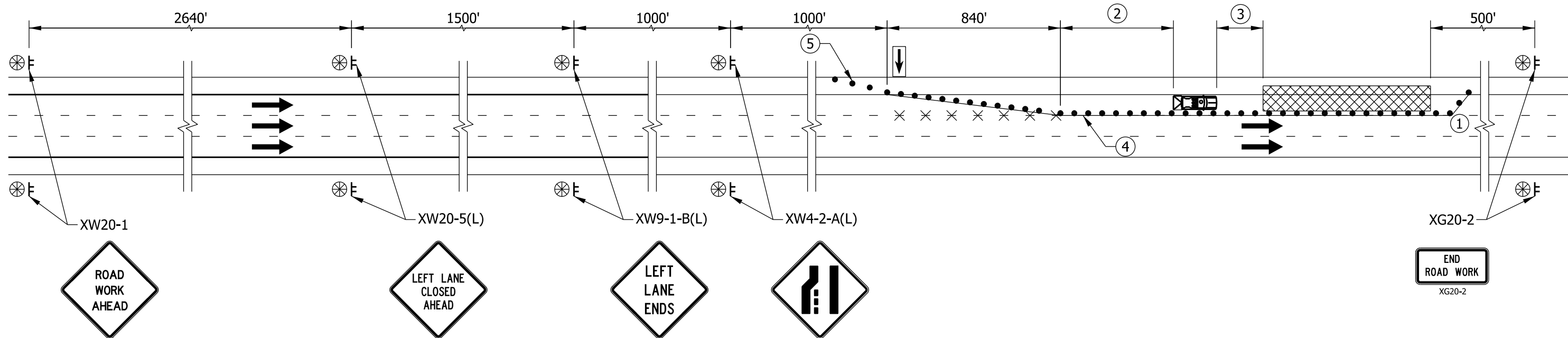
SEPTEMBER 2026

STANDARD DRAWING NO. E 801-TCLC-04

DAVID H. BORUFF
REGISTERED
No. 60900348
STATE OF INDIANA
PROFESSIONAL ENGINEER

David H. Boruff 4/28/2026
DESIGN STANDARDS ENGINEER DATE

[Signature] 04/29/2026
CHIEF ENGINEER DATE



NOTES:

- ① The downstream taper after work area shall extend 100 ft of roadway and drums shall be spaced 20 ft. The downstream taper may be omitted if necessary for work vehicle access.
- ② Longitudinal Buffer Length, see table
- ③ Shadow vehicle roll ahead distance shall be as recommended by the truck mounted attenuator manufacturer.
- ④ Yellow Edge Line
- ⑤ Shoulder taper of $\frac{1}{3}$ L. See Standard Drawing series E 801-TCDV for distance, L.

LONGITUDINAL BUFFER LENGTH	
Posted Speed Limit (mph)	Length (ft)
25	155
30	200
35	250
40	305
45	360
50	425
55	495
60	570
65	645
70	730

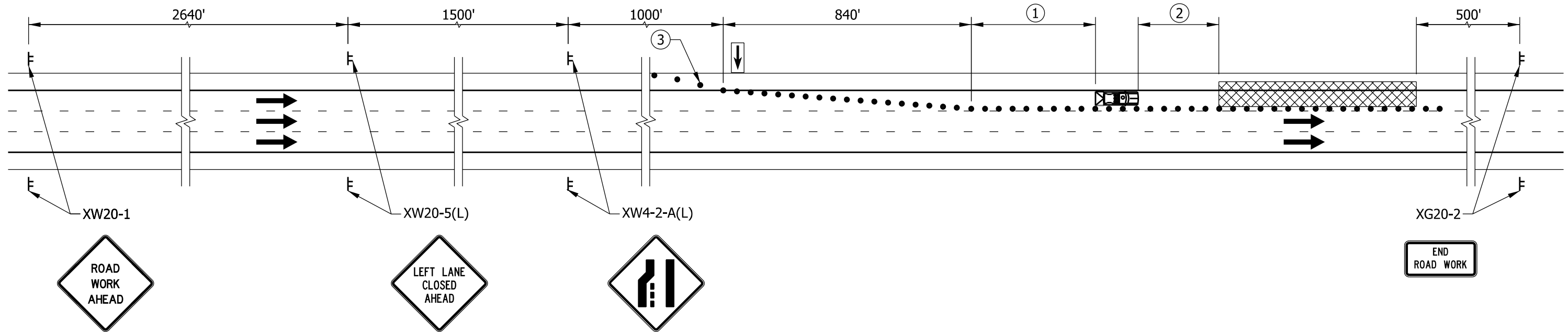
INDIANA DEPARTMENT OF TRANSPORTATION

**LONG-TERM STATIONARY FREEWAY
LEFT LANE CLOSURE**

SEPTEMBER 2026

STANDARD DRAWING NO. E 801-TCLC-05

	<p style="text-align: right;"><i>David H. Boruff</i> 4/28/2026 DESIGN STANDARDS ENGINEER DATE</p> <p style="text-align: right;"><i>[Signature]</i> 04/29/2026 CHIEF ENGINEER DATE</p>
--	-----------------------------------------------------------------------------------------------------------------------------------------------------------------------------------------------



NOTES:

- ① Longitudinal Buffer Length, see table.
- ② Shadow vehicle roll ahead distance shall be as recommended by the truck mounted attenuator manufacturer.
- ③ Shoulder taper of $\frac{1}{3}$ L. See Standard Drawing series E 801-TCDV for distance, L.

LONGITUDINAL BUFFER LENGTH	
Posted Speed Limit (mph)	Length (ft)
25	155
30	200
35	250
40	305
45	360
50	425
55	495
60	570
65	645
70	730

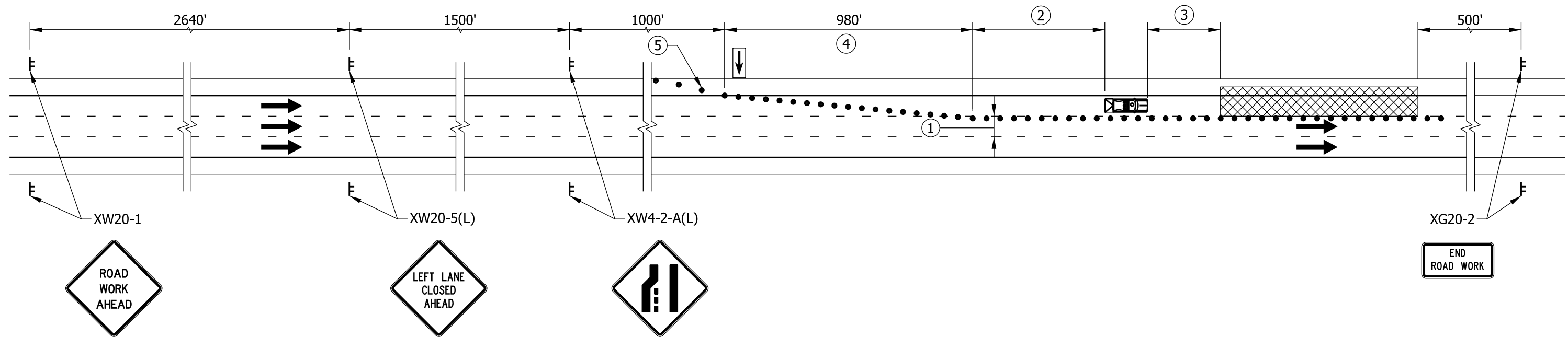
INDIANA DEPARTMENT OF TRANSPORTATION

**SHORT OR INTERMEDIATE TERM STATIONARY
FREEWAY LEFT LANE CLOSURE**

SEPTEMBER 2026

STANDARD DRAWING NO. E 801-TCLC-06

	<p style="text-align: right;"><i>David H. Boruff</i> 4/28/2026 DESIGN STANDARDS ENGINEER DATE</p> <p style="text-align: right;"><i>[Signature]</i> 04/29/2026 CHIEF ENGINEER DATE</p>
--	-----------------------------------------------------------------------------------------------------------------------------------------------------------------------------------------------



NOTES:

- ① 10 ft minimum lane width
- ② Longitudinal Buffer Length, see table
- ③ Shadow vehicle roll ahead distance shall be as recommended by the truck mounted attenuator manufacturer.
- ④ Use a separate shift taper separated by a distance of 2L if a merge taper is wider than 14 ft.
- ⑤ Shoulder taper of $\frac{1}{2}$ L, see Standard Drawing series E 801-TCDV for distance, L.

LONGITUDINAL BUFFER LENGTH	
Posted Speed Limit (mph)	Length (ft)
25	155
30	200
35	250
40	305
45	360
50	425
55	495
60	570
65	645
70	730

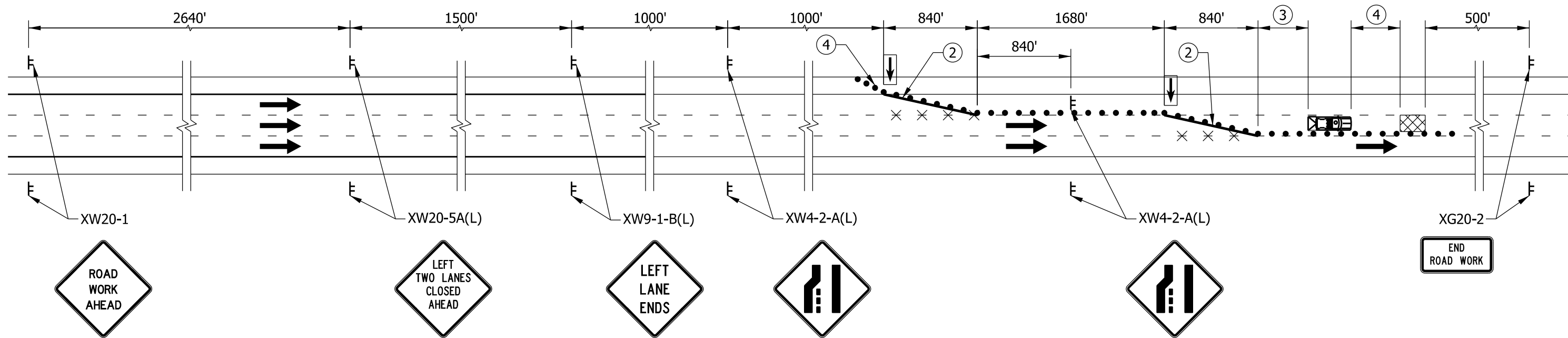
INDIANA DEPARTMENT OF TRANSPORTATION

**SHORT OR INTERMEDIATE TERM STATIONARY
FREEWAY LEFT LANE CLOSURE WITH
MINOR ENCROACHMENT**

SEPTEMBER 2026

STANDARD DRAWING NO. E 801-TCLC-07

	<p style="text-align: right;"><i>David H. Boruff</i> 4/28/2026 DESIGN STANDARDS ENGINEER DATE</p> <p style="text-align: right;"><i>[Signature]</i> 04/29/2026 CHIEF ENGINEER DATE</p>
--	-----------------------------------------------------------------------------------------------------------------------------------------------------------------------------------------------



NOTES:

1. Use temporary concrete traffic barrier or reversible lane with moveable barrier in lieu of drums if required by the designer.
- ② Yellow Edge Line
- ③ Longitudinal Buffer Length, see table.
- ④ Shoulder taper $\frac{1}{2}$ L. See Standard Drawing series 801-TCDV for distance, L.

LONGITUDINAL BUFFER LENGTH	
Posted Speed Limit (mph)	Length (ft)
25	155
30	200
35	250
40	305
45	360
50	425
55	495
60	570
65	645
70	730

INDIANA DEPARTMENT OF TRANSPORTATION

**SHORT OR INTERMEDIATE TERM STATIONARY
DOUBLE LANE CLOSURE FOR
WORK IN THE CENTER LANE**

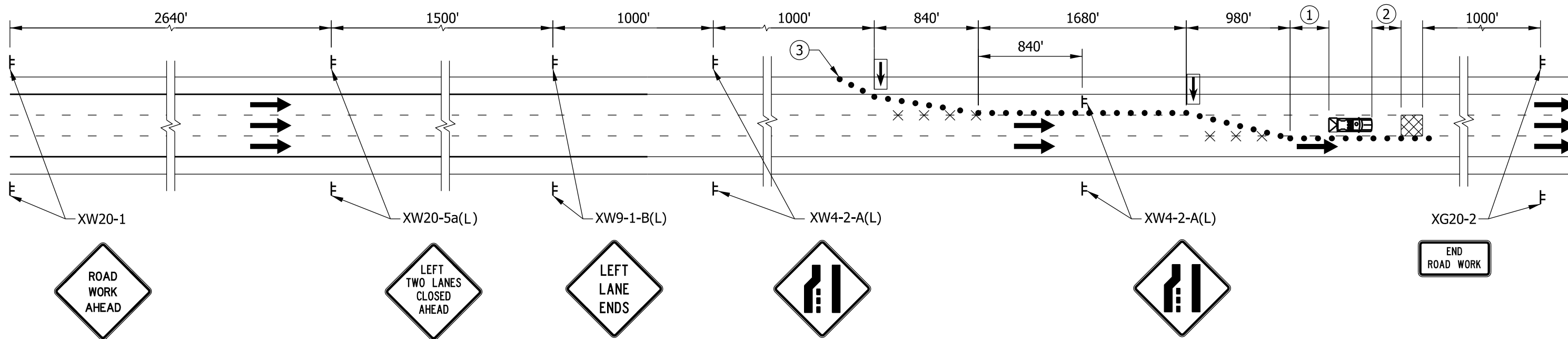
SEPTEMBER 2026

STANDARD DRAWING NO. E 801-TCLC-08

DAVID H. BORUFF
REGISTERED
No. 60900348
STATE OF INDIANA
PROFESSIONAL ENGINEER

David H. Boruff 4/28/2026
DESIGN STANDARDS ENGINEER DATE

[Signature] 04/29/2026
CHIEF ENGINEER DATE



NOTES:

- ① Longitudinal Buffer Length, see table.
- ② Shadow vehicle roll ahead distance shall be as recommended by the truck mounted attenuator manufacturer.
- ③ Shoulder taper of $\frac{1}{3} L$, see Standard Drawing series E 801-TCDV for distance, L.

LONGITUDINAL BUFFER LENGTH	
Posted Speed Limit (mph)	Length (ft)
25	155
30	200
35	250
40	305
45	360
50	425
55	495
60	570
65	645
70	730

INDIANA DEPARTMENT OF TRANSPORTATION

**SHORT OR INTERMEDIATE TERM STATIONARY
FREEWAY DOUBLE LANE CLOSURE
WITH MINOR ENCROACHMENT**

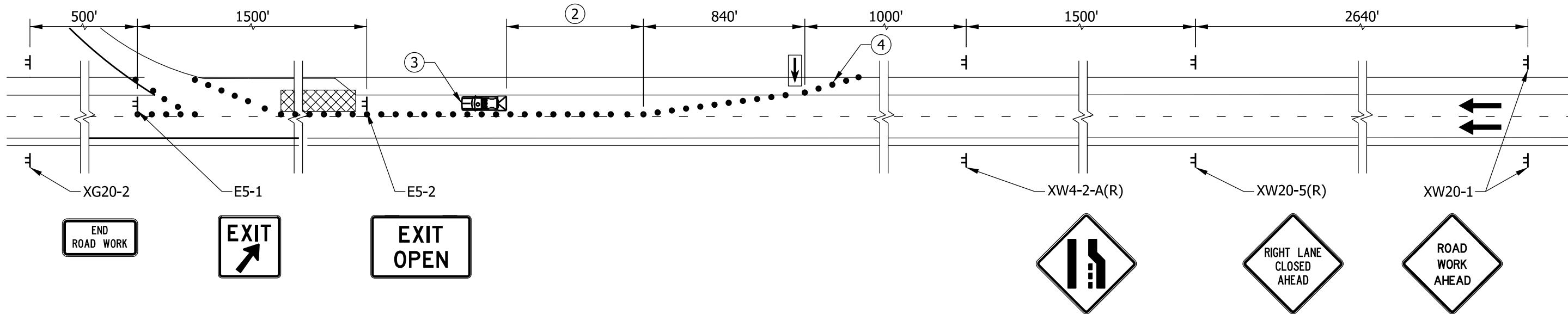
SEPTEMBER 2026

STANDARD DRAWING NO. E 801-TCLC-09

DAVID H. BORUFF
REGISTERED
No.
60900348
STATE OF
INDIANA
PROFESSIONAL ENGINEER

David H. Boruff 4/28/2026
DESIGN STANDARDS ENGINEER DATE

[Signature] 04/29/2026
CHIEF ENGINEER DATE



NOTES:

1. See Standard Drawing series E 801-TCDV for merge distance, L.
- ② Longitudinal Buffer Length, see table.
- ③ Shadow vehicle roll ahead distance shall be as recommended by the truck mounted attenuator manufacturer.
- ④ Shoulder taper of $\frac{1}{2}$ L.

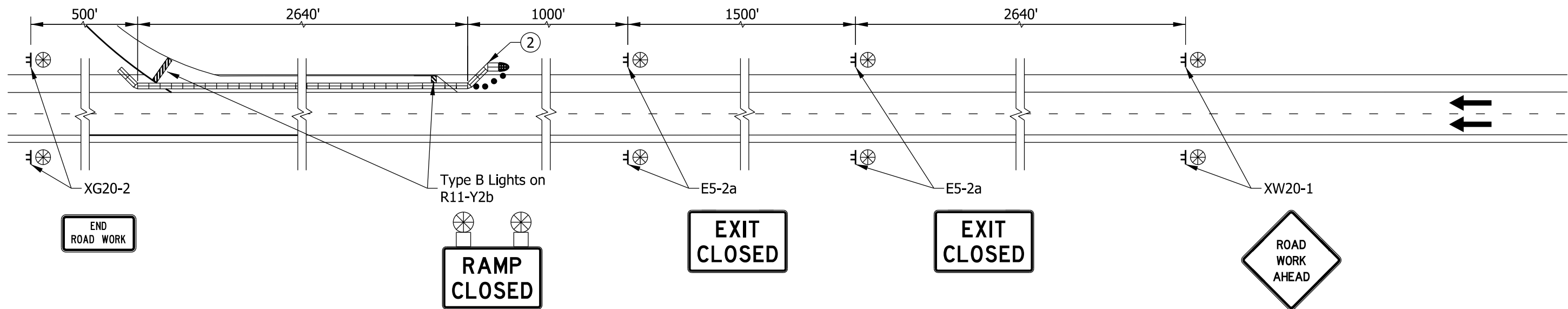
LONGITUDINAL BUFFER LENGTH	
Posted Speed Limit (mph)	Length (ft)
25	155
30	200
35	250
40	305
45	360
50	425
55	495
60	570
65	645
70	730

INDIANA DEPARTMENT OF TRANSPORTATION

**SHORT OR INTERMEDIATE TERM STATIONARY
FREEWAY RIGHT LANE CLOSURE
NEAR INTERCHANGE WITH EXIT OPEN
SEPTEMBER 2026**

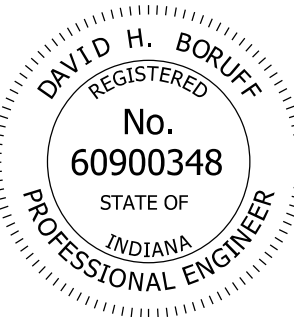
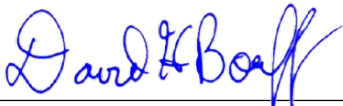

STANDARD DRAWING NO. E 801-TCLC-10

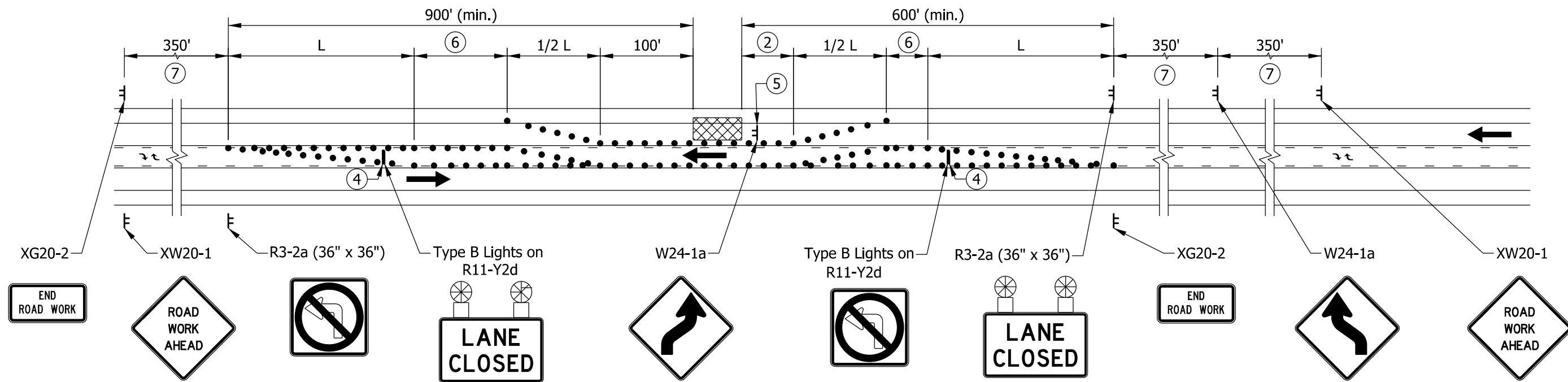
	<p style="text-align: right;"><i>David H. Boruff</i> 4/28/2026 DESIGN STANDARDS ENGINEER DATE</p> <p style="text-align: right;"><i>[Signature]</i> 04/29/2026 CHIEF ENGINEER DATE</p>
--	-----------------------------------------------------------------------------------------------------------------------------------------------------------------------------------------------



NOTES:

1. Temporary traffic barrier shall be used for long-term stationary work. For short-term or intermediate-term stationary work, drums spaced at 20 ft may be used in lieu of temporary traffic barrier.
- ② Flared temporary traffic barrier or approved end treatment flare rate 16:1 to edge of shoulder.

INDIANA DEPARTMENT OF TRANSPORTATION	
TRAFFIC CONTROL FOR FREEWAY EXIT CLOSURE	
SEPTEMBER 2026	
STANDARD DRAWING NO. E 801-TCLC-11	
	<div style="text-align: right; margin-bottom: 10px;">  <small>DESIGN STANDARDS ENGINEER DATE</small> 4/28/2026 </div> <div style="text-align: right;">  <small>CHIEF ENGINEER DATE</small> 04/29/2026 </div>



NOTES:

1. See Standard Drawing series E 801-TCDV for merge distance, L.
- ② Longitudinal Buffer Length, see table.
3. R3-2A must be repeated at each intersection and at class 3 and 4 drives.
- ④ Type III Barricade
- ⑤ The lane-shift sign shall be placed 350 ft in advance of the return lane-shift.
- ⑥ Access Control Buffer, if required.
- ⑦ For urban locations where the speed limit is ≤ 35 mph, the sign spacing may be reduced to 100 ft.

LONGITUDINAL BUFFER LENGTH	
Posted Speed Limit (mph)	Length (ft)
25	155
30	200
35	250
40	305
45	360
50	425
55	495
60	570
65	645
70	730

INDIANA DEPARTMENT OF TRANSPORTATION

**SHORT OR INTERMEDIATE TERM STATIONARY
LANE CLOSURE ON THREE LANE ROAD**

SEPTEMBER 2026

STANDARD DRAWING NO. E 801-TCLC-12

	<p style="text-align: right;"><i>David H. Boruff</i> 4/28/2026 DESIGN STANDARDS ENGINEER DATE</p> <p style="text-align: right;"><i>[Signature]</i> 04/29/2026 CHIEF ENGINEER DATE</p>
--	-----------------------------------------------------------------------------------------------------------------------------------------------------------------------------------------------